

PULL OUT REFERENCE SHELF

INSTALLATION INSTRUCTIONS

Parts List

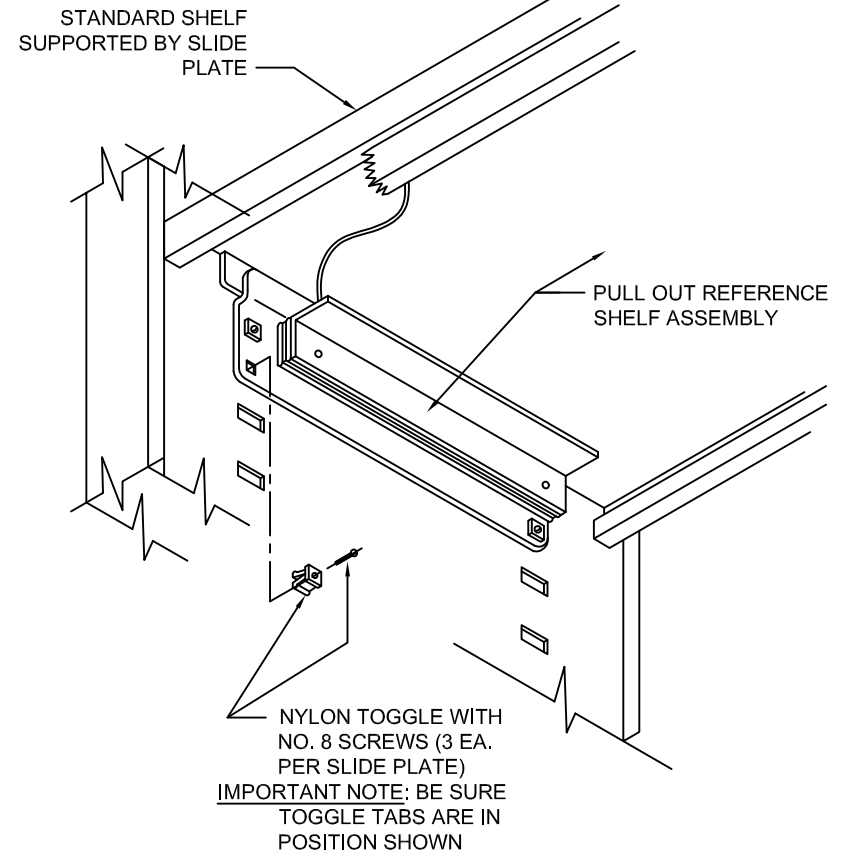
<u>Qty</u>	<u>Description</u>
1	Pull Out Ref. Shelf Assembly (Consisting of shelf, slides, and panel slide plates)
6	Nylon Toggles
6	No. 8 X 1/2" lg. Phillips Hd. Screws
1	* Standard Shelf w/ Reinforcing Pan

Required Tools

Phillips Screw Driver - No. 2 Point

INSTRUCTIONS:

- Step 1: Slip Pull Out Reference Shelf (P.O.R.S.) assembly between panels of unit. End of slide plate with two (2) attachment holes to be located toward front of unit.
- Note: Overall width of P.O.R.S. assembly is the same as inside dimension of unit - Care must be taken to avoid marring panel surface.
- Step 2: Adjust elevation of assembly using top edge of panel slide plate as a guide. the standard shelf above the P.O.R.S., will rest within the offset at the top of the slide plate.
- Step 3: Align rectangular holes in slide plates with corresponding panel slots. Insert nylon toggles into the holes and snap into panel slots. Be sure that tabs of the toggle are in the correct position - See illustration at right.
- Step 4: Fasten toggles with No. 8 Screws provided.
- * Step 5: Slip standard shelf between panels in area above P.O.R.S. assembly and lower into position. Guide the shelf end tabs into the offset provided along the top of the slide plate.



LEFT HAND SLIDE PLATE ASSEMBLY

(VIEWED FROM BELOW)

NOTE: THE FACTORY HAS SUPPLIED A REINFORCED SHELF TO REDUCE DEFLECTION. BE SURE TO INSTALL THE SHELF WITH THE REINFORCEMENT ON THE UNERSIDE OVER THE P.O.R. SHELF.



Adjustable

A division of
Karp Associates, Inc.
54-54 43rd Street
Maspeth, NY 11378
(718) 784-2105 Fax: (718) 784-9169